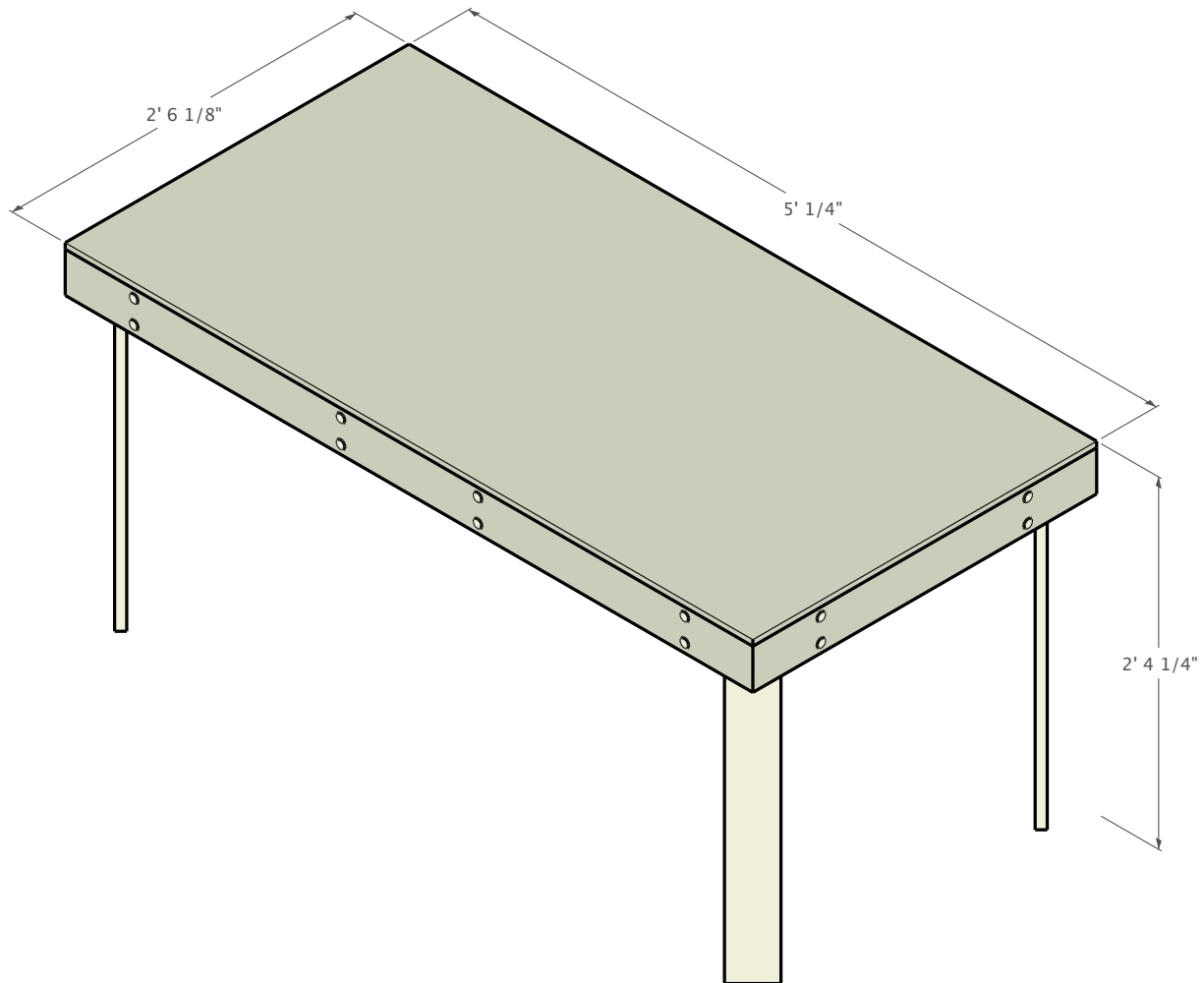




## Standard Display Table



### Features

- Surface sized for 3x6 32 stud baseplates
- Standard height of 28 1/4"
- Adjustable legs for easy leveling
- Legs remove for transport

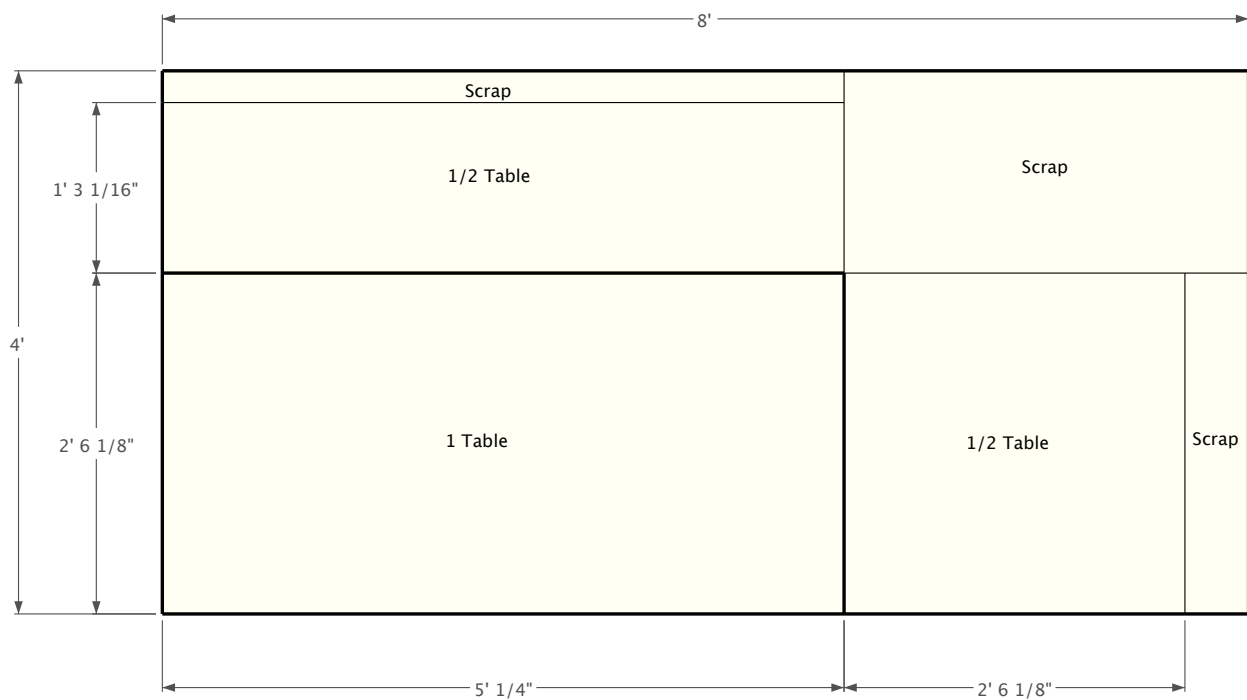
## Materials Needed

- 1/2" Plywood
- 1"x4" boards milled to 3/4" x 3 1/2".

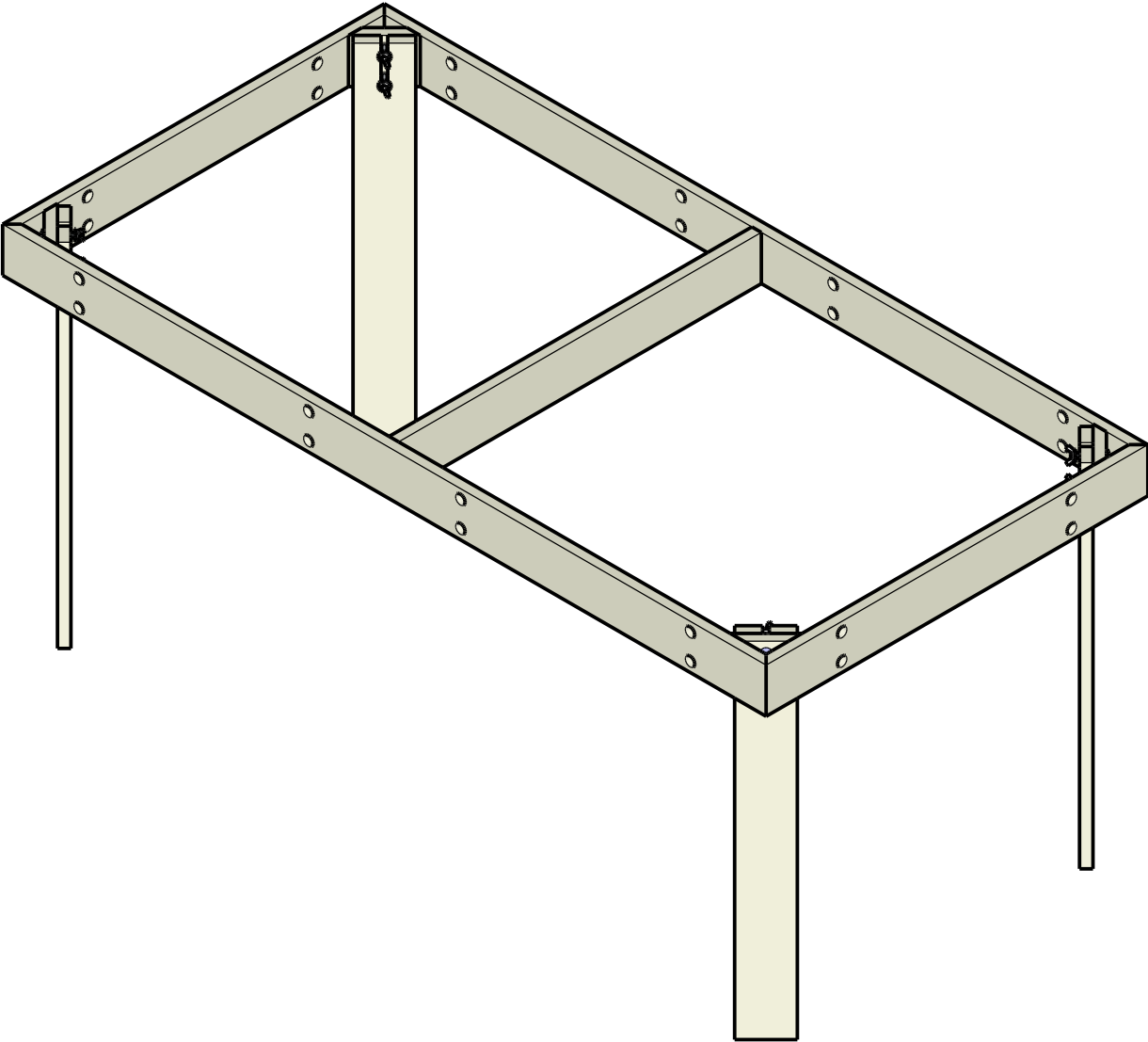
Note: If you choose not to mill boards, some adjustments may be necessary. Ensure dimensions of table surface match the plan. Adjust other dimensions as needed.

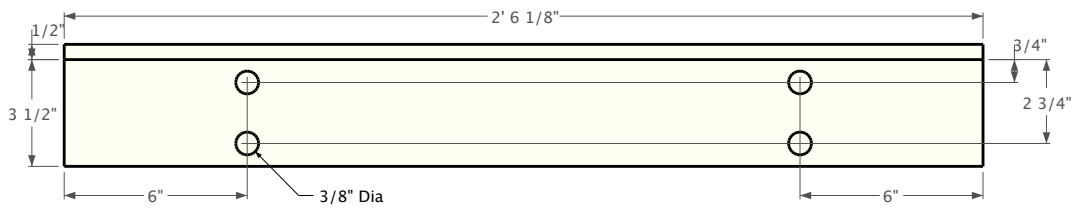
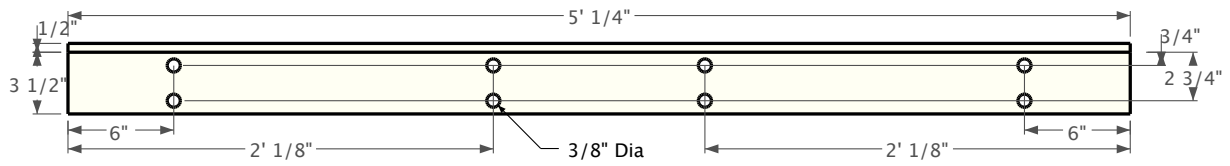
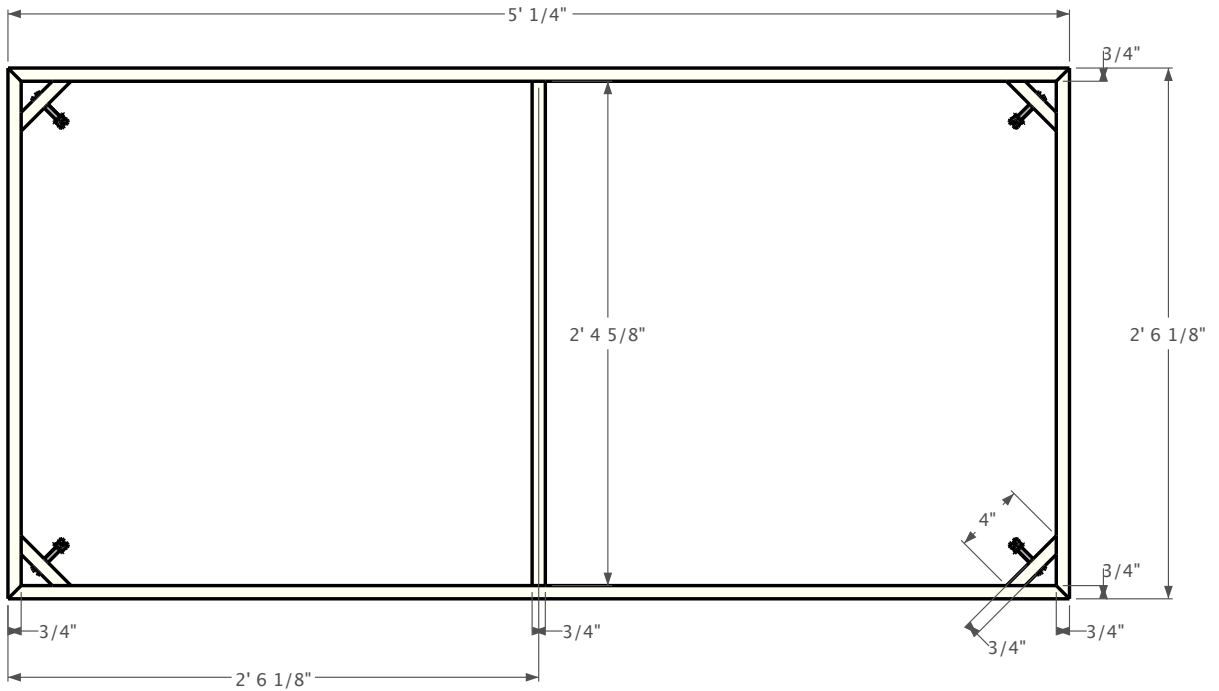
- 8x 5/16"-18 x 2" Carriage Bolts
- 8x 5/16"-18 Wing Nuts
- 8x 5/16" Washers
- 16x 1 1/2" Drywall Screws
- Glue
- Brad Nails

Note: The table surface dimensions make efficient use of lumber when 4 tables are built at a time. For example, one table requires one sheet of 4' x 8' plywood. Two, three or four tables can be made from just two sheets of 4' x 8' plywood.



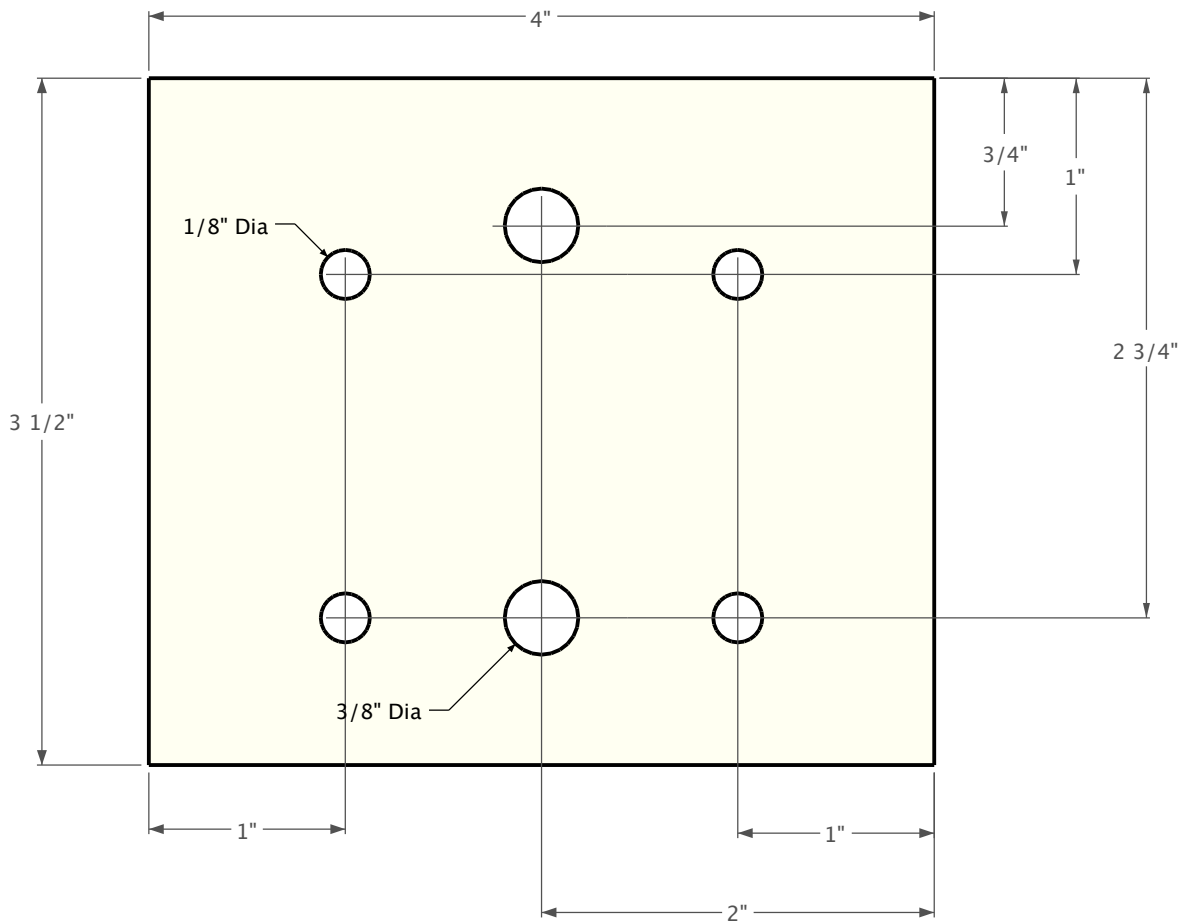
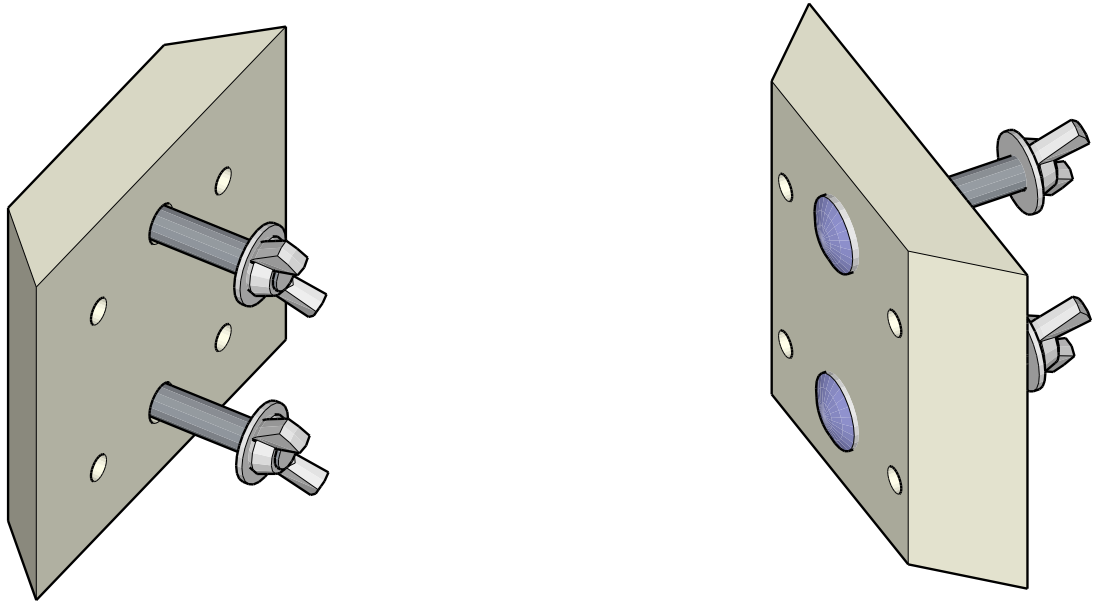
**Frame Construction**





## Corner Braces

Note: Hammer carriage bolts into braces before attaching to table frame. Use 4 drywall screws in addition to glue to attach braces to frame.



**Legs**

Route slot into center of leg to allow for easy removal/installation of legs. This also provides for some adjustment of height for surface leveling.

